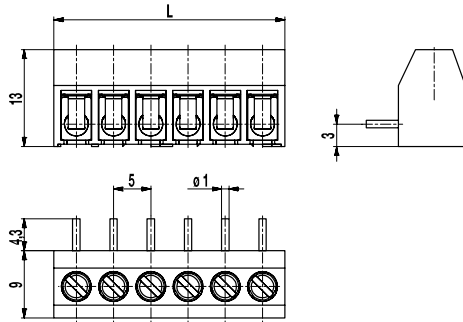
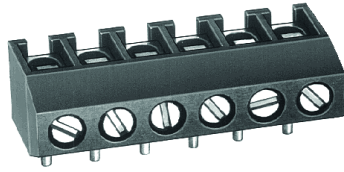


# 971(-DS)

PCB connector

Screw connection, wire entrance vertical to PCB



The PCB screw connector 971 with a pitch of 5 mm is available in 2- to 32-pole design and can be mounted side-by-side without pole loss. Compared to the smaller 951 series PCB connector, it has a larger clamping range and larger clearance and creepage distances.

Wire protection in DS-design reliably prevents damage to stranded wires by the screw. The wire entrance is vertical to the PCB.

The screws are secured against self-loosening. For the grid connection, these PCB connectors are equipped with a M3 thread.

## Part Numbers

No. of poles	971	971-DS	Length	PU
2	10.872.102	20.872.102	11,00	250
3	10.872.103	20.872.103	16,00	250
4	10.872.104	20.872.104	21,00	200
5	10.872.105	20.872.105	26,00	100
6	10.872.106	20.872.106	31,00	100
7	10.872.107	20.872.107	36,00	100
8	10.872.108	20.872.108	41,00	100
9	10.872.109	20.872.109	46,00	100
10	10.872.110	20.872.110	51,00	100
11	10.872.111	20.872.111	56,00	100
12	10.872.112	20.872.112	61,00	100
13	10.872.113	20.872.112	66,00	100
14	10.872.114	20.872.114	71,00	100
15	10.872.115	20.872.115	76,00	100
16	10.872.116	20.872.116	81,00	100
17	10.872.117	20.872.117	86,00	100
18	10.872.118	20.872.118	91,00	100
19	10.872.119	20.872.119	96,00	100
20	10.872.120	20.872.120	101,00	100
21	10.872.121	20.872.121	106,00	100
22	10.872.122	20.872.122	111,00	100
23	10.872.123	20.872.123	116,00	100
24	10.872.124	20.872.124	121,00	100
25	10.872.125	20.872.125	126,00	100
26	10.872.126	20.872.126	131,00	100
28	10.872.128	20.872.128	141,00	100
30	10.872.130	20.872.130	151,00	100
32	10.872.132	20.872.132	161,00	100

further number of poles on request

## General Information

Pitch	5 mm
No. of poles	2 - 32




## Technical Data

Clamping Range	<i>solid / flexible / AWG</i>		
<i>without wire protector</i>	1 - 6 mm <sup>2</sup> / 1 - 2,5 mm <sup>2</sup> / 16 - 12 AWG		
<i>with wire protector</i>	0,75 - 4 mm <sup>2</sup> / 0,75 - 2,5 mm <sup>2</sup> / 18 - 12 AWG		
Rated Cross Section	2,5 mm <sup>2</sup>		
Wire Stripping Length	5,5 mm ± 0,5 mm		
Overvoltage Category	III	III	II
Pollution Severity Level	3	2	2
Rated Voltage	250 V	320 V	630 V (500 V)
Rated Impulse Voltage	4 kV	4 kV	4 kV
Rated Current	24 A		
Hole in PCB	ø 1,3 mm		
Torque	0,5 Nm		
Other specifications	Voltage data in brackets are valid for 9-32 poles types. 2-8 poles types are "no-flame" acc. to glow-wire test.		

## Material

Moulding	PA, grey, V-0
Comparative Tracking Index	2-8 poles: CTI ≥ 600; 9-32 poles: CTI 400
Insulating Group	2-8 poles: I; 9-32 poles: II
Temperature Range	-40°C up to 100°C
Terminal body	Tin plated brass
Screw	M3; zinc plated steel, blue passivated
Solder pin	ø 1 mm; tin plated brass
Wire protector	Tin plated tin bronze

## Approvals

	Current [A]	Voltage [V]	Group	AWG	[Nm]
	20	300	B	22-12 [1]	0,51
	10	300	D	22-12 [1]	0,51
	20	300	B	26 - 12	0,51
	10	300	D, E	26 - 12	0,51
	Current [A]	Voltage [V]	[mm <sup>2</sup> ]		
	24	250	2,5 [2]		

[1] 26 AWG min for factory-wiring only

[2] Acc. to IEC 60947-7-4 und IEC 60947-1

## Options / Accessories

- Consecutive numbering
- Special marking according to drawing
- Self-adhesive marking strip BST-5,00
- Version with extended wire entrance
- Version with test holes, see 971-HM(-DS)
- Double wire protector as bridge