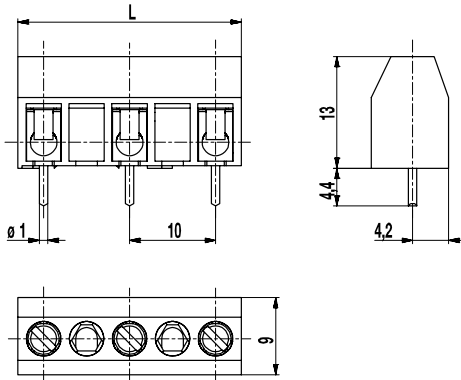
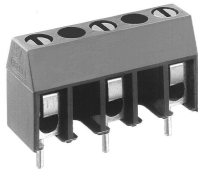


972(-DS)

PCB connector
Screw connection



The PCB connector 972 with a pitch of 10 mm is available in 2- to 16-pole design and has large clearance and creepage distances.

Wire protection in DS-design reliably prevents damage to stranded wires by the screw.

The screws are secured against self-loosening.

Part Numbers

No. of poles	972	972-DS	Length	PU
2	12.872.003	22.872.003	16,00	250
3	12.872.005	22.872.005	26,00	100
4	12.872.007	22.872.007	36,00	100
5	12.872.009	22.872.009	46,00	100
6	12.872.011	22.872.011	56,00	100
7	12.872.013	22.872.013	66,00	100
8	12.872.015	22.872.015	76,00	100
9	12.872.017	22.872.017	86,00	100
10	12.872.019	22.872.019	96,00	100
11	12.872.021	22.872.021	106,00	100
12	12.872.023	22.872.023	116,00	100
13	12.872.025	22.872.025	126,00	100
14	12.872.027	22.872.027	136,00	100
15	12.872.029	22.872.029	146,00	100
16	12.872.031	22.872.031	156,00	100

General Information

Pitch	10 mm
No. of poles	2 - 16




Technical Data

Clamping Range	<i>solid / flexible / AWG</i>		
	<i>without wire protector</i>	1 - 6 mm ² / 1 - 2,5 mm ² / 16 - 12 AWG	
	<i>with wire protector</i>	0,75 - 4 mm ² / 0,75 - 2,5 mm ² / 18 - 12 AWG	
Rated Cross Section	2,5 mm ²		
Wire Stripping Length	6,5 mm ± 0,5 mm		
Overvoltage Category	III	III	II
Pollution Severity Level	3	2	2
Rated Voltage	630 V (500 V)	630 V	1000 V
Rated Impulse Voltage	6 kV	6 kV	6 kV
Rated Current	24 A		
Hole in PCB	ø 1,3 mm		
Torque	0,5 Nm		
Other specifications	Rated voltage in brackets applies to 5-16-pole connectors, "no-flame" according to glow wire test applies to 2-4-pole connectors.		

Material

Moulding	PA, grey, V-0
Comparative Tracking Index	2-4 poles: CTI ≥ 600; 5-16 poles: CTI 400
Insulating Group	2-4 poles: I; 5-16 poles: II
Temperature Range	-40°C up to 100°C
Terminal body	Tin plated brass
Screw	M3; zinc plated steel, blue passivated
Solder pin	ø 1 mm; tin plated copper alloy
Wire protector	Tin plated tin bronze

Approvals

	Current [A]	Voltage [V]	Group	AWG	[Nm]
	20	300	B	22-12 [1]	0,51
	20	150	C	22-12 [1]	0,51
	20	300	B	26 - 12	0,51
	10	300	D, E	26 - 12	0,51
	Current [A]	Voltage [V]	[mm ²]		
	24	750	2,5 [2]		

[1] Min No. 26 AWG for factory-wiring only

[2] Acc. to IEC 60947-7-4 und IEC 60947-1

Options / Accessories

- Consecutive numbering
- Special marking according to drawing
- Self-adhesive marking strip BST-10,00
- Longer solder pins up to 95 mm
- Two solder pins per pole, please see 978-TY(-DS) in 5 mm pitch
- Version with extended wire entrance
- Version with larger clamping range