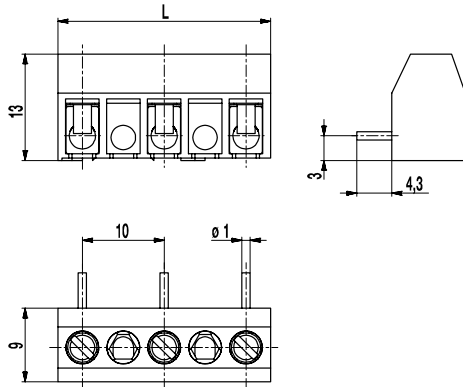
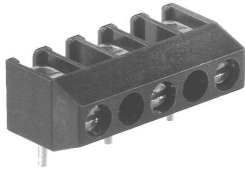


973(-DS)

PCB connector

Screw connection, wire entrance vertical to PCB



The PCB connector 973 is the horizontal version of 972 and with a pitch of 10 mm available in 2- to 16-pole design. It has large clearance and creepage distances.

Wire protection in DS-design reliably prevents damage to stranded wires by the screw.

The wire entrance is vertical to the PCB.

The screws are secured against self-loosening.

Part Numbers

No. of poles	973	973-DS	Length	PU
2	12.872.103	22.872.103	16,00	250
3	12.872.105	22.872.105	26,00	100
4	12.872.107	22.872.107	36,00	100
5	12.872.109	22.872.109	46,00	100
6	12.872.111	22.872.111	56,00	100
7	12.872.113	22.872.113	66,00	100
8	12.872.115	22.872.115	76,00	100
9	12.872.117	22.872.117	86,00	100
10	12.872.119	22.872.119	96,00	100
11	12.872.121	22.872.121	106,00	100
12	12.872.123	22.872.123	116,00	100
13	12.872.125	22.872.123	126,00	100
14	12.872.127	22.872.127	136,00	100
15	12.872.129	22.872.129	146,00	100
16	12.872.131	22.872.131	156,00	100

General Information

Pitch	10 mm
No. of poles	2 - 16

Technical Data



Clamping Range	<i>solid / flexible / AWG</i>		
	<i>without wire protector</i>	1 - 6 mm ² / 1 - 2,5 mm ² / 16 - 12 AWG	
	<i>with wire protector</i>	0,75 - 4 mm ² / 0,75 - 2,5 mm ² / 18 - 12 AWG	
Rated Cross Section	2,5 mm ²		
Wire Stripping Length	5,5 mm ± 0,5 mm		
Overvoltage Category	III	III	II
Pollution Severity Level	3	2	2
Rated Voltage	630 V (500 V)	630 V	1000 V
Rated Impulse Voltage	6 kV	6 kV	6 kV
Rated Insulation Voltage	750 V acc. to EN 60998-1		
Rated Current	24 A		
Hole in PCB	ø 1,3 mm		
Torque	0,5 Nm		

Other specifications Rated voltage in brackets applies to 5-16-pole connectors, "no-flame" according to glow wire test applies to 2-4-pole connectors.

Material

Moulding	PA, grey, V-0
Comparative Tracking Index	2-4 poles: CTI ≥ 600; 5-16 poles: CTI 400
Insulating Group	2-4 poles: I; 5-16 poles: II
Temperature Range	-40°C up to 100°C
Terminal body	Tin plated brass
Screw	M3; zinc plated steel, blue passivated
Solder pin	ø 1 mm; tin plated brass
Wire protector	Tin plated tin bronze

Approvals

	Current [A]	Voltage [V]	Group	AWG	[Nm]
	20	300	B	22-12 [1]	0,51
	20	150	C	22-12 [1]	0,51
	20	300	B	26 - 12	0,51
	10	300	D, E	26 - 12	0,51

[1] Min No. 26 AWG for factory-wiring only

Options / Accessories

- Consecutive numbering
- Special marking according to drawing
- Self-adhesive marking strip BST-10,00
- Version with extended wire entrance
- Version like type 971-HG(-DS) in 5 mm pitch