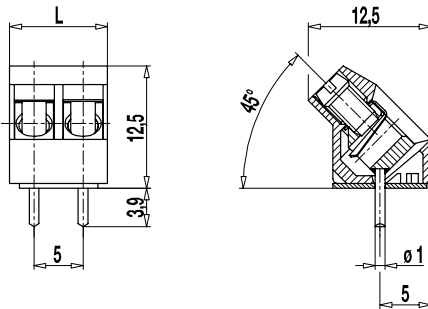
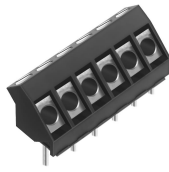


974-BP(-DS)

PCB connector

Screw connection 45°-angle to PCB, with base plate



The PCB connector 974-BP, inclined version with base plate and a pitch of 5 mm is available with 2 to 12 poles. It was particularly designed for PCBs with encapsulated printed circuits.

The base plate, ultrasound-welded to the bottom of the standard series 974 PCB connector, offers extra protection against casting resin penetrating the solder pin area.

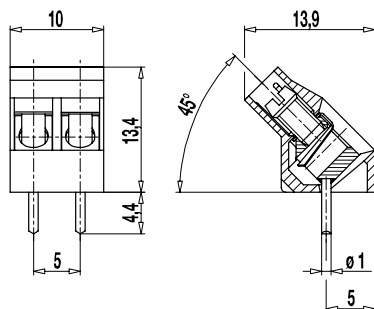
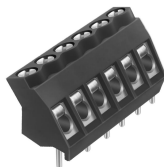
The wire entrance is in a 45° angle diagonal to the PCB. Therefore, this PCB connector is ideal for the assembly in the center of PCBs. The design of this PCB connector allows space-saving arrangement of consecutive rows of terminals.

Wire protection in DS-design reliably prevents damage to stranded wires by the screw.

Part Numbers

No. of poles	974-BP	974-BP-DS	Length	PU
2		97.874.002	10,00	250

further number of poles on request



Part Numbers

No. of poles	974-C	974-C-DS	Length	PU
6		20.874.066	30,00	100

General Information

Pitch	5 mm
No. of poles	2 - 12


Technical Data

Clamping Range	<i>solid / flexible / AWG</i>		
	<i>without wire protector</i>	1 - 6 mm ² / 1 - 2,5 mm ² / 16 - 12 AWG	
	<i>with wire protector</i>	0,75 - 4 mm ² / 0,75 - 2,5 mm ² / 18 - 12 AWG	
Rated Cross Section	2,5 mm ²		
Wire Stripping Length	6,5 mm ± 0,5 mm		
Overvoltage Category	III	III	II
Pollution Severity Level	3	2	2
Rated Voltage	250 V	320 V	630 V
Rated Impulse Voltage	4 kV	4 kV	4 kV
Rated Current	15 A		
Hole in PCB	ø 1,3 mm		
Torque	0,5 Nm		

Material

Moulding	PA, grey, V-0
Comparative Tracking Index	CTI ≥ 600
Insulating Group	I
Temperature Range	-40°C up to 100°C
Terminal body	Tin plated brass
Screw	M3; zinc plated steel, clear passivated
Solder pin	ø 1 mm; tin plated copper
Wire protector	Tin plated tin bronze

Approvals

	Current [A]	Voltage [V]	[mm ²]
	24	250	2,5 [1]

[1] Acc. to IEC 60947-7-4 und IEC 60947-1

Options / Accessories

- Consecutive numbering
- Special marking according to drawing
- Self-adhesive marking strip BST-5,00