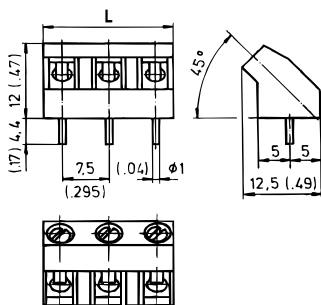
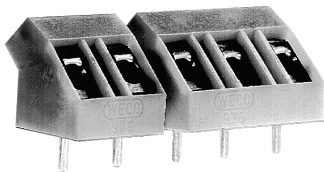


PCB Connector Series 976

976(-DS)

Screw connection



Part Numbers

No. of poles	976	976-DS	Length	Pcs
2	10.874.204	20.874.204	13,30	250
3	10.874.205	20.874.205	20,80	250

General Information

Centre to centre spacing	7,5 mm
No. of poles	2 + 3
Accessories	Self-adhesive marking strip BST-7,5
Additional Information	Wire entry at 45° angle to printed circuit board, the terminal rows can be located space saving one directly behind the other. Additionally, the connectors can be arranged side by side without a change of the pitch.

Technical Data

Clamping Range	<i>solid / flexible / AWG</i>
<i>without wire protector</i>	1 - 6 mm ² / 1 - 2,5 mm ² / 16 - 12 AWG
<i>with wire protector</i>	0,75 - 4 mm ² / 0,75 - 2,5 mm ² / 18 - 12 AWG
Rated Cross Section	2,5 mm ²
Wire Stripping Length	6,5 mm
Rated Voltage	400 V to EN 60664-1 pollution degree 3 Clearance and Creepage Distance: > 6,3 mm
Rated Impulse Voltage	6 kV
Rated Insulation Voltage	750 V acc. to EN 60998-1
Rated Current	24 A
Hole in PCB	ø 1,3 mm
Torque	0,5 Nm

Material

Moulding	PA, grey, V-0
Comparative Tracking Index	CTI ≥ 600
Insulating Group	I
Temperature Range	-40°C up to 100°C
Terminal Body	Tin plated brass
Screw	M3, zinc plated steel, clear passivated
Solder pin	ø 1 mm; tin plated copper
Wire protector	Tin plated bronze

Approvals

	Current	Voltage	Group	AWG	Nm
	15	300	B, C	22 - 12	0,51 (1)
	20	300	B	26 - 12	0,51
	10	300	D, E	26 - 12	0,51
	Current	Voltage	mm ²		
	24	750	2,5		

(1) Min No. 26 AWG for factory-wiring only

Options / Accessories

- Consecutive numbering
- Special marking accord. drawing
- Self-adhesive marking strip
- Longer P.C. pins up to 95 mm
- Special wire protector; when very thin conductors will be used
- Version with raised foot of 1,6 mm