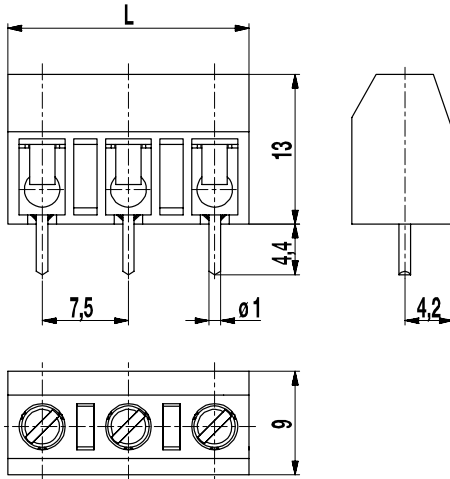
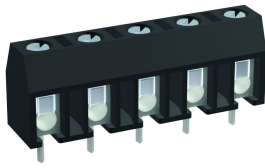


977-OP(-DS)

PCB connector
Screw connection



The PCB connector 977-OP with a pitch of 7,5 mm is available in 2- to 19-pole design and can be mounted side-by-side in the nominal pitch. Due to their large clearance and creepage distances, these PCB connectors are particularly suitable for higher voltages.

Wire protection in DS-design reliably prevents damage to stranded wires by the screw.

The screws are secured against self-loosening.

Part Numbers

| No. of poles | 977-OP | 977-OP-DS | Length | PU |
|--------------|------------|------------|--------|-----|
| 2 | 10.872.332 | 20.872.332 | 13,50 | 250 |
| 3 | 10.872.333 | 20.872.333 | 21,00 | 250 |
| 4 | 10.872.334 | 20.872.334 | 28,50 | 200 |
| 5 | 10.872.335 | 20.872.335 | 36,00 | 100 |
| 6 | 10.872.336 | 20.872.336 | 43,50 | 100 |
| 7 | 10.872.337 | 20.872.337 | 51,00 | 100 |
| 8 | 10.872.338 | 20.872.338 | 58,50 | 100 |
| 9 | 10.872.339 | 20.872.339 | 66,00 | 100 |
| 10 | 10.872.340 | 20.872.340 | 73,50 | 100 |
| 11 | 10.872.341 | 20.872.341 | 81,00 | 100 |
| 12 | 10.872.342 | 20.872.342 | 88,50 | 100 |
| 13 | 10.872.343 | 20.872.342 | 96,00 | 100 |
| 14 | 10.872.344 | 20.872.344 | 103,50 | 100 |
| 15 | 10.872.345 | 20.872.345 | 111,00 | 100 |
| 16 | 10.872.346 | 20.872.346 | 118,50 | 100 |
| 17 | 10.872.347 | 20.872.347 | 126,00 | 100 |
| 18 | 10.872.348 | 20.872.348 | 133,50 | 100 |
| 19 | 10.872.349 | 20.872.349 | 141,00 | 100 |

General Information

| | |
|--------------|--------|
| Pitch | 7,5 mm |
| No. of poles | 2 - 19 |




Technical Data

| | | | |
|--------------------------|-----------------------------------------------------------------------------------------------------------------------------------|---------------------------------------------------------------------|---------------|
| Clamping Range | <i>solid / flexible / AWG</i> | | |
| | <i>without wire protector</i> | 1 - 6 mm ² / 1 - 2,5 mm ² / 16 - 12 AWG | |
| | <i>with wire protector</i> | 0,75 - 4 mm ² / 0,75 - 2,5 mm ² / 18 - 12 AWG | |
| Rated Cross Section | 2,5 mm ² | | |
| Wire Stripping Length | 6,5 mm ± 0,5 mm | | |
| Overvoltage Category | III | III | II |
| Pollution Severity Level | 3 | 2 | 2 |
| Rated Voltage | 400 V (320 V) | 630 V (500 V) | 1000 V (500V) |
| Rated Impulse Voltage | 6 kV | 6 kV | 6 kV |
| Rated Current | 24 A | | |
| Hole in PCB | ø 1,3 mm | | |
| Torque | 0,5 Nm | | |
| Other specifications | Rated voltage in brackets applies to 9-19-pole connectors, "no-flame" according to glow wire test applies to 2-8-pole connectors. | | |

Material

| | |
|----------------------------|-------------------------------------------|
| Moulding | PA, grey, V-0 |
| Comparative Tracking Index | 2-8 poles: CTI ≥ 600; 9-19 poles: CTI 250 |
| Insulating Group | 2-8 poles: I; 9-19 poles: IIIa |
| Temperature Range | -40°C up to 100°C |
| Terminal body | Tin plated brass |
| Screw | M3; zinc plated steel, blue passivated |
| Solder pin | ø 1 mm; tin plated copper alloy |
| Wire protector | Tin plated tin bronze |

Approvals

| | Current [A] | Voltage [V] | Group | AWG | [Nm] |
|-------------------------------------------------------------------------------------|-------------|-------------|--------------------|-----------|------|
|  | 15 | 300 | B | 22-12 [1] | 0,51 |
|  | 20 | 300 | B | 26 - 12 | 0,51 |
| | 10 | 300 | D, E | 26 - 12 | 0,51 |
| | Current [A] | Voltage [V] | [mm ²] | | |
|  | 24 | 450 | 2,5 [2] | | |

[1] Min No. 26 AWG for factory-wiring only

[2] Acc. to IEC 60947-7-4 und IEC 60947-1

Options / Accessories

- Consecutive numbering
- Special marking according to drawing
- Self-adhesive marking strip BST-7,50
- Longer P.C. pins up to 95 mm
- Version with larger clamping range