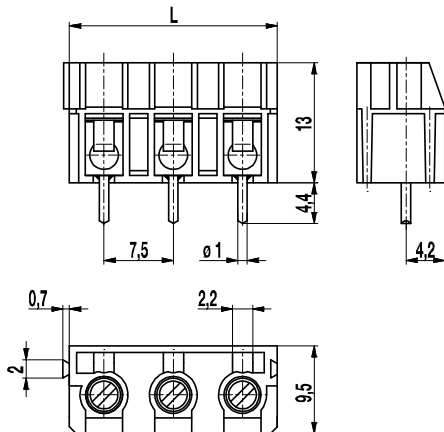
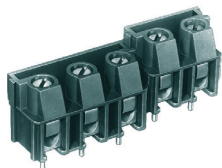


## PCB connector

### 977-T(-DS)

Screw connection, with test holes, interlocking



The PCB connector 977-T with a pitch of 7,5 mm is available is available with 2 and 3 poles.

Lateral latching elements on the housing allow to latch the PCB connector to longer terminal strips without pole loss.

Due to their large clearance and creepage distances, these PCB connectors are particularly suitable for higher voltages.

Wire protection in DS-design reliably prevents damage to stranded wires by the screw.

The wire entrance is parallel to the PCB.

The screws are captive.

This PCB connector has test holes for  $\varnothing$  2,2 mm test plugs.

#### Part Numbers

No. of poles	977-T	977-T-DS	Length	Pcs
2	10.872.632	20.872.632	13,50	250
3	10.872.633	20.872.633	21,00	250

#### General Information

Pitch	7,5 mm
No. of poles	2 + 3

#### Technical Data

Clamping Range	<i>solid / flexible / AWG</i>
<i>without wire protector</i>	1 - 6 mm <sup>2</sup> / 1 - 2,5 mm <sup>2</sup> / 16 - 12 AWG
<i>with wire protector</i>	0,75 - 4 mm <sup>2</sup> / 0,75 - 2,5 mm <sup>2</sup> / 18 - 12 AWG
Rated Cross Section	2,5 mm <sup>2</sup>
Wire Stripping Length	7 mm
Overvoltage Category	III
Pollution Severity Level	3
Rated Voltage	400 V
Rated Impulse Voltage	6 kV
Rated Insulation Voltage	450 V acc. to EN 60998-1
Rated Current	24 A
Hole in PCB	$\varnothing$ 1,3 mm
Torque	0,5 Nm

#### Material

Moulding	PA, grey, V-0
Comparative Tracking Index	CTI $\geq$ 600
Insulating Group	I
Temperature Range	-40°C up to 100°C
Terminal body	Tin plated brass
Screw	M3; zinc plated steel, blue passivated
Solder pin	$\varnothing$ 1 mm; tin plated copper
Wire protector	Tin plated tin bronze

#### Approvals

	Current	Voltage	Group	AWG	Nm
	15	300	B	22-12 [1]	0,51
	20	300	B	26 - 12	0,51
	10	300	D, E	26 - 12	0,51
	Current	Voltage	mm <sup>2</sup>		
	24	750	2,5		

[1] Min No. 26 AWG for factory-wiring only

#### Options / Accessories

- Consecutive numbering
- Special marking according to drawing
- Self-adhesive marking strip BST-7,50
- Longer P.C. pins up to 95 mm
- Version with larger clamping range