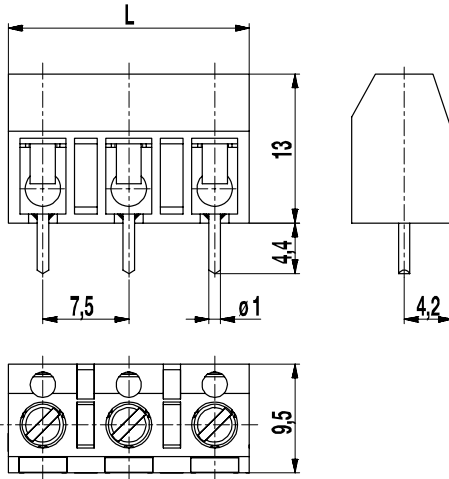
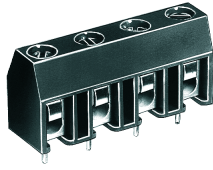


977(-DS)

PCB connector

Screw connection, with test holes



The PCB connector 977 with a pitch of 7,5 mm is available in 2- to 8-pole design and can be mounted side-by-side in the nominal pitch. Due to their large clearance and creepage distances, these PCB connectors are particularly suitable for higher voltages.

Wire protection in DS-design reliably prevents damage to stranded wires by the screw.

The screws are secured against self-loosening.

This PCB connector has test holes for \varnothing 2 mm test plugs.

Part Numbers

No. of poles	977	977-DS	Length	PU
2	10.872.302	20.872.302	13,50	250
3	10.872.303	20.872.303	21,00	250
4	10.872.304	20.872.304	28,50	200
5	10.872.305	20.872.305	36,00	100
6	10.872.306	20.872.306	43,50	100
7	10.872.307	20.872.307	51,00	100
8	10.872.308	20.872.308	58,50	100

General Information

Pitch	7,5 mm
No. of poles	2 - 8




Technical Data

Clamping Range	<i>solid / flexible / AWG</i>		
	<i>without wire protector</i>	1 - 6 mm ² / 1 - 2,5 mm ² / 16 - 12 AWG	
	<i>with wire protector</i>	0,75 - 4 mm ² / 0,75 - 2,5 mm ² / 18 - 12 AWG	
Rated Cross Section	2,5 mm ²		
Wire Stripping Length	7 mm \pm 0,5 mm		
Overvoltage Category	III	III	II
Pollution Severity Level	3	2	2
Rated Voltage	400 V	630 V	1000 V
Rated Impulse Voltage	6 kV	6 kV	6 kV
Rated Current	24 A		
Hole in PCB	\varnothing 1,3 mm		
Torque	0,5 Nm		

Material

Moulding	PA, grey, V-0
Comparative Tracking Index	CTI \geq 600
Insulating Group	I
Temperature Range	-40°C up to 100°C
Terminal body	Tin plated brass
Screw	M3; zinc plated steel, blue passivated
Solder pin	\varnothing 1 mm; tin plated copper alloy
Wire protector	Tin plated tin bronze

Approvals

	Current [A]	Voltage [V]	Group	AWG	[Nm]
	15	300	B	22-12 [1]	0,51
	20	300	B	26 - 12	0,51
	10	300	D, E	26 - 12	0,51
	Current [A]	Voltage [V]	[mm ²]		
	24	450	2,5 [2]		

[1] Min No. 26 AWG for factory-wiring only

[2] Acc. to IEC 60947-7-4 und IEC 60947-1

Options / Accessories

- Consecutive numbering
- Special marking according to drawing
- Self-adhesive marking strip BST-7,50
- Longer P.C. pins up to 95 mm
- Version with larger clamping range