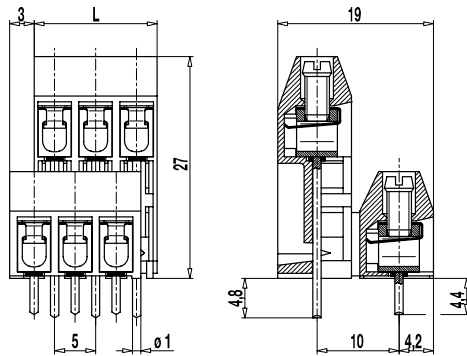


978-EN(-DS)

PCB connector

Screw connection, two-tier version, large conductor space



The PCB connector 978-EN, a two-tier version with larger terminal space and a pitch of 5 mm is available in 4- to 24-pole design. This connector is a combination of the 978-HEN with the 978 version. The rear latching hook on the 978 series locks both terminals to one unit. This configuration allows application-specific locking combinations.

The wire protector of the "DS"-version reliably prevents damage to multi-wire flexible conductors by the turning screw.

Part Numbers

No. of poles	978-EN	978-EN-DS	Length	PU
4	30.872.962	40.872.962	10,00	100
6	30.872.963	40.872.963	15,00	50
8	30.872.964	40.872.964	20,00	50
10	30.872.965	40.872.965	25,00	50
12	30.872.966	40.872.966	30,00	50
14	30.872.967	40.872.967	35,00	25
16	30.872.968	40.872.968	40,00	25
18	30.872.969	40.872.969	45,00	25
20	30.872.970	40.872.970	50,00	25
22	30.872.971	40.872.971	55,00	25
24	30.872.972	40.872.972	60,00	25

General Information

Pitch	5 mm
No. of poles	4 - 24



Technical Data

Clamping Range	<i>solid / flexible / AWG</i>		
<i>without wire protector</i>	0,75 - 6 mm ² / 0,75 - 4 mm ² / 18 - 10 AWG		
<i>with wire protector</i>	0,34 - 6 mm ² / 0,34 - 4 mm ² / 22 - 10 AWG		
Rated Cross Section	2,5 mm ²		
Wire Stripping Length	6,5 mm ± 0,5 mm		
Overvoltage Category	III	III	II
Pollution Severity Level	3	2	2
Rated Voltage	250 V	320 V	630 V
Rated Impulse Voltage	4 kV	4 kV	4 kV
Rated Insulation Voltage	250 V acc. to EN 60998-1		
Rated Current	24 A		
Hole in PCB	ø 1,3 mm		
Torque	0,5 Nm		

Material

Moulding	PA, grey, V-0
Comparative Tracking Index	CTI ≥ 600
Insulating Group	I
Temperature Range	-40°C up to 100°C
Terminal body	Tin plated brass
Screw	M3; zinc plated steel, blue passivated
Solder pin	ø 1 mm; tin plated copper
Wire protector	Tin plated tin bronze

Approvals

	Current [A]	Voltage [V]	Group	AWG	[Nm]
	20	300	B	22-12 [1]	0,51
	10	300	D	22-12 [1]	0,51
	20	300	B	26 - 12	0,51
	10	300	D, E	26 - 12	0,51

[1] Min No. 26 AWG for factory-wiring only

Options / Accessories

- Consecutive numbering
- Special marking according to drawing
- Self-adhesive marking strip BST-5,00
- Pitch of 10 mm for larger clearance and creepage distances
- Other solder pin lengths on request
- Double wire protector as bridge
- Cover for the solder pins for additional misplacing and contact protection
- Two-Tier version with the rear row offset to the left
- Special combination of the front and rear row of the two-tier version