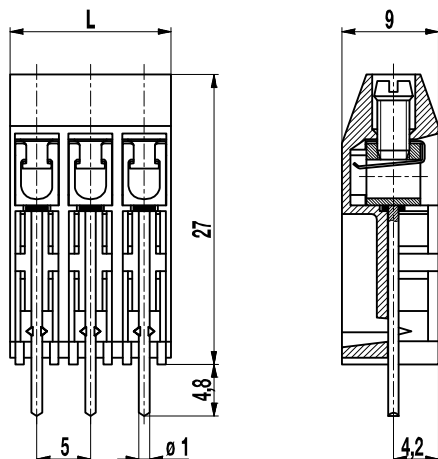


## PCB connector

### 978-HEN(-DS)

Screw connection, tall version, large conductor space



The PCB connector 978-HEN, a tall version with larger terminal space and a pitch of 5 mm is available with 2 to 12 poles.

This tall version is particularly designed for encapsulating PCBs whose mounting location shall provide connection outside the housing.

Wire protection in DS-design reliably prevents damage to stranded wires by the screw.

Connecting the two PCB connectors 978 and 978-EN yields the two-tier version 970-EN.

#### Part Numbers

No. of poles	978-HEN	978-HEN-DS	Length	Pcs
2	37.872.962	47.872.962	10,00	250
3	37.872.963	47.872.963	15,00	200
4	37.872.964	47.872.964	20,00	100
5	37.872.965	47.872.965	25,00	100
6	37.872.966	47.872.966	30,00	50
7	37.872.967	47.872.967	35,00	50
8	37.872.968	47.872.968	40,00	50
9	37.872.969	47.872.969	45,00	50
10	37.872.970	47.872.970	50,00	50
11	37.872.971	47.872.971	55,00	50
12	37.872.972	47.872.972	60,00	50

#### General Information

Pitch	5 mm
No. of poles	2 - 12

#### Technical Data

Clamping Range	<i>solid / flexible / AWG</i>		
<i>without wire protector</i>	0,75 - 6 mm <sup>2</sup> / 0,75 - 4 mm <sup>2</sup> / 18 - 10 AWG		
<i>with wire protector</i>	0,34 - 6 mm <sup>2</sup> / 0,34 - 4 mm <sup>2</sup> / 22 - 10 AWG		
Rated Cross Section	2,5 mm <sup>2</sup>		
Wire Stripping Length	6,5 mm ± 0,5 mm		
Overvoltage Category	III	III	II
Pollution Severity Level	3	3	2
Rated Voltage	250 V	320 V	630 V
Rated Impulse Voltage	4 kV	4 kV	4 kV
Rated Insulation Voltage	250 V acc. to EN 60998-1		
Rated Current	24 A		
Hole in PCB	ø 1,3 mm		
Torque	0,5 Nm		

#### Material

Moulding	PA, grey, V-0
Comparative Tracking Index	CTI ≥ 600
Insulating Group	I
Temperature Range	-40°C up to 100°C
Terminal body	Tin plated brass
Screw	M3; zinc plated steel, blue passivated
Solder pin	ø 1 mm; tin plated copper
Wire protector	Tin plated tin bronze

#### Approvals

	Current	Voltage	Group	AWG	Nm
	20	300	B	22-12 [1]	0,51
	10	300	D	22-12 [1]	0,51
	20	300	B	26 - 12	0,51
	10	300	D, E	26 - 12	0,51
	Current	Voltage	mm <sup>2</sup>		
	24	250	4,0		

[1] Min No. 26 AWG for factory-wiring only

#### Options / Accessories

- Consecutive numbering
- Special marking according to drawing
- Self-adhesive marking strip BST-5,00
- Other P.C. pin lengths on request
- Double wire protector as bridge
- Cover for the solder pins for additional misplacing and contact protection