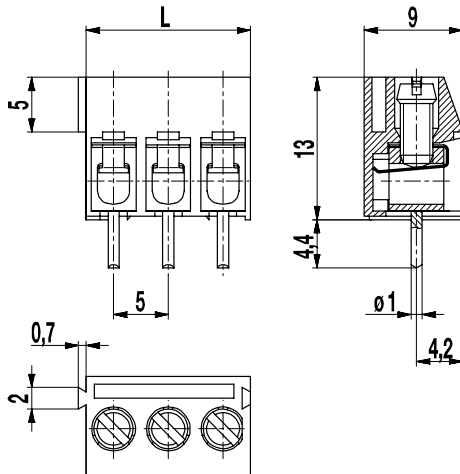
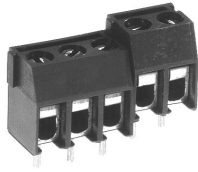


978-T(-DS)

PCB connector

Screw connection, interlocking, large conductor space



The PCB connector 978-T with larger conductor space and a pitch of 5 mm is available in 2- and 3-pole design. Lateral latching elements on the housing allow to latch the PCB connector to longer terminal strips without pole loss.

The wire protector of the "DS"-version reliably prevents damage to multi-wire flexible conductors by the turning screw. The wire entrance is parallel to the PCB.

The screws are secured against self-loosening. For the grid connection, these PCB connectors are equipped with a M3 thread.

Part Numbers

No. of poles	978-T	978-T-DS	Length	PU
2	30.872.602	40.872.602	10,00	250
3	30.872.603	40.872.603	15,00	250

General Information

Pitch	5 mm
No. of poles	2 + 3




Technical Data

Clamping Range	<i>solid / flexible / AWG</i>		
	<i>without wire protector</i> 0,75 - 6 mm ² / 0,75 - 4 mm ² / 18 - 10 AWG		
	<i>with wire protector</i> 0,34 - 6 mm ² / 0,34 - 4 mm ² / 22 - 10 AWG		
Rated Cross Section	2,5 mm ²		
Wire Stripping Length	6,5 mm ± 0,5 mm		
Overvoltage Category	III	III	II
Pollution Severity Level	3	2	2
Rated Voltage	250 V	320 V	630 V
Rated Impulse Voltage	4 kV	4 kV	4 kV
Rated Current	24 A		
Hole in PCB	ø 1,3 mm		
Torque	0,5 Nm		

Material

Moulding	PA, grey, V-0
Comparative Tracking Index	CTI ≥ 600
Insulating Group	I
Temperature Range	-40°C up to 100°C
Terminal body	Tin plated brass
Screw	M3; zinc plated steel, blue passivated
Solder pin	ø 1 mm; tin plated copper
Wire protector	Tin plated tin bronze

Approvals

	Current [A]	Voltage [V]	Group	AWG	[Nm]
	20	300	B	22-12 [1]	0,51
	10	300	D, E	22-12 [1]	0,51
	20	300	B	26 - 12	0,51
	10	300	D, E	26 - 12	0,51
	Current [A]	Voltage [V]	[mm ²]		
	24	250	4,0 [2]		

[1] Min No. 26 AWG for factory-wiring only

[2] Acc. to IEC 60947-7-4 und IEC 60947-1

Options / Accessories

- Consecutive numbering
- Special marking according to drawing
- Self-adhesive marking strip BST-5,00
- Pitch of 10 mm for larger clearance and creepage distances
- Longer solder pins up to 95 mm
- 2 solder pins per pole, please see 978-TY
- Version with extended wire entrance
- Version with test hole, compare 970-MP, 970-TMP