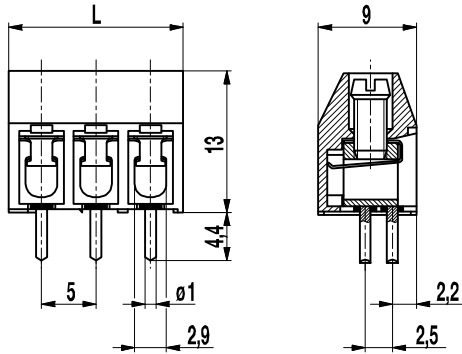
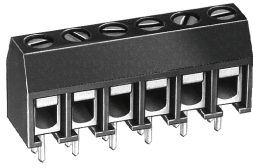


PCB connector

978-Y(-DS)

Screw connection, 2 solder pins per pole, large conductor space



Part Numbers

| No. of poles | 978-Y | 978-Y-DS | Length | Pcs |
|--------------|------------|------------|--------|-----|
| 2 | 30.872.802 | | 11,00 | 250 |
| 4 | 30.872.804 | | 21,00 | 200 |
| 5 | 30.872.805 | | 26,00 | 100 |
| 6 | 30.872.806 | | 31,00 | 100 |
| 7 | 30.872.807 | | 36,00 | 100 |
| 8 | 30.872.808 | 39.872.808 | 41,00 | 100 |

further number of poles on request

General Information

| | |
|--------------|--------|
| Pitch | 5 mm |
| No. of poles | 2 - 32 |

Technical Data

| | | | |
|-------------------------------|---|-------|---------------|
| Clamping Range | <i>solid / flexible / AWG</i> | | |
| <i>without wire protector</i> | 0,75 - 6 mm ² / 0,75 - 4 mm ² / 18 - 10 AWG | | |
| <i>with wire protector</i> | 0,34 - 6 mm ² / 0,34 - 4 mm ² / 22 - 10 AWG | | |
| Rated Cross Section | 2,5 mm ² | | |
| Wire Stripping Length | 6,5 mm ± 0,5 mm | | |
| Overvoltage Category | III | III | II |
| Pollution Severity Level | 3 | 2 | 2 |
| Rated Voltage | 250 V (200 V) | 320 V | 630 V (400 V) |
| Rated Impulse Voltage | 4 kV | 4 kV | 4 kV |
| Rated Insulation Voltage | 250 V acc. to EN 60998-1 | | |
| Rated Current | 24 A | | |
| Hole in PCB | ø 1,3 mm | | |
| Torque | 0,5 Nm | | |
| Other specifications | Voltage data in brackets are valid for 9-32 poles types. 2-8 poles types are "no-flame" acc. to glow-wire test. | | |

Material

| | |
|----------------------------|--|
| Moulding | PA, grey, V-0 |
| Comparative Tracking Index | 2-8 poles: CTI ≥ 600; 9-2 poles: CTI 400 |
| Insulating Group | 2-8 poles: I; 9- 32 poles: II |
| Temperature Range | -40°C up to 100°C |
| Terminal body | Tin plated brass |
| Screw | M3; zinc plated steel, blue passivated |
| Solder pin | ø 1 mm; tin plated copper |
| Wire protector | Tin plated tin bronze |

Approvals

| | Current | Voltage | Group | AWG | Nm |
|--|---------|---------|-----------------|-----------|------|
| | 20 | 300 | B | 22-12 [1] | 0,51 |
| | 10 | 300 | D | 22-12 [1] | 0,51 |
| | 20 | 300 | B | 26 - 12 | 0,51 |
| | 10 | 300 | D, E | 26 - 12 | 0,51 |
| | Current | Voltage | mm ² | | |
| | 24 | 400 | 4,0 | | |

[1] Min No. 26 AWG for factory-wiring only

Options / Accessories

- Consecutive numbering
- Special marking according to drawing
- Self-adhesive marking strip BST-5,00
- Longer solder pins up to 95 mm
- Version with extended wire entrance
- Double wire protector as bridge
- With test holes, see 970-MP