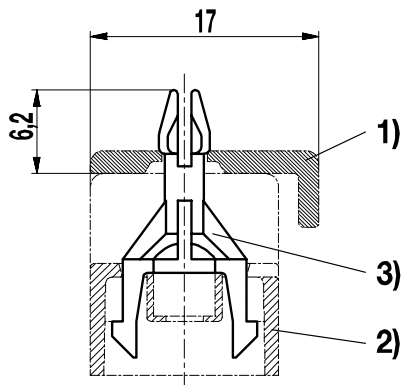
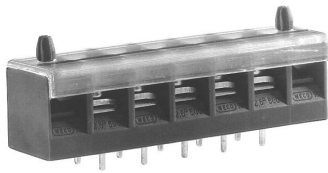


Cover cap 980-A

Accessories



- 1) Cover cap
- 2) PCB connector
- 3) Securing pin

The 980-A cover cap is used as shock protection for series 980 PCB connectors. All cover caps have two \varnothing 3 mm fastening holes. They are fastened after wiring the strips with two securing pins BEF-980, which are pressed into the first and the last empty pole compartment of the PCB connector.

When ordering series 980 PCB connectors, the two empty pole compartments on the far left and the far right must be specified because terminal pole numbers are only allocated to connected pole compartments.

The number of poles and the cover cap sizes stated herein are already configured according to the number of empty pole compartments, i.e. a 3-pole cover cap is suitable for a 3-pole PCB connector equipped with two additional empty pole compartments.

General Information

| | |
|--------------|---------------------------|
| No. of poles | 1 - 30 |
| Usable with | PCB connectors series 980 |

Material

| | |
|-------------------|------------------|
| Moulding | ABS, transparent |
| Temperature Range | -30°C up to 80°C |

Options / Accessories

- Fastening holes in different position
- Securing pins BEF-983

Part Numbers

| No. of poles | 980-A | Length | PU |
|--------------|------------|--------|-----|
| 1 | 13.891.201 | 20,30 | 200 |
| 2 | 14.891.201 | 26,60 | 200 |
| 3 | 15.891.201 | 33,00 | 200 |
| 4 | 16.891.201 | 39,30 | 100 |
| 5 | 17.891.201 | 45,70 | 100 |
| 6 | 18.891.201 | 52,00 | 100 |
| 7 | 19.891.201 | 58,40 | 100 |
| 8 | 20.891.201 | 64,70 | 100 |
| 9 | 21.891.201 | 71,70 | 100 |
| 10 | 22.891.201 | 77,40 | 100 |
| 11 | 23.891.201 | 83,80 | 100 |
| 12 | 24.891.201 | 90,10 | 100 |
| 13 | 25.891.201 | 96,50 | 100 |
| 14 | 26.891.201 | 102,80 | 100 |
| 15 | 27.891.201 | 109,20 | 100 |
| 16 | 28.891.201 | 115,50 | 100 |
| 17 | 29.891.201 | 121,90 | 100 |
| 18 | 30.891.201 | 128,20 | 100 |
| 19 | 31.891.201 | 134,60 | 100 |
| 20 | 32.891.201 | 140,90 | 100 |

further number of poles on request