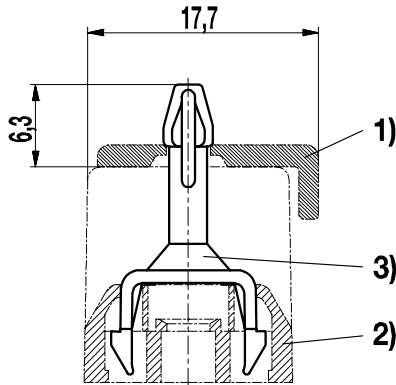
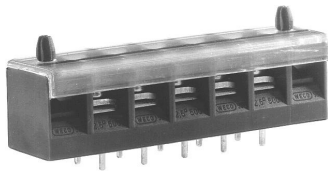


982-A

Cover cap
Accessories



- 1) Cover cap
- 2) PCB connector
- 3) Securing pin

The 982-A cover cap is used as shock protection for series 982 PCB connectors. All cover caps have two $\varnothing 3$ mm fastening holes. They are fastened after wiring the strips with two securing pins BEF-983, which are pressed into the first and the last empty pole compartment of the PCB connector.

When ordering series 982 PCB connectors, the two empty pole compartments on the far left and the far right must be specified because terminal pole numbers are only allocated to connected pole compartments.

The number of poles and the cover cap sizes stated herein are already configured according to the number of empty pole compartments, i.e. a 3-pole cover cap is suitable for a 3-pole PCB connector equipped with two additional empty pole compartments.

General Information

No. of poles	1 - 24
Usable with	PCB connectors series 982

Material

Moulding	ABS, transparent
Temperature Range	-30°C up to 80°C

Options / Accessories

- Fastening holes in different position
- Securing pins BEF-983

Part Numbers

No. of poles	982-A	Length	PU
1	13.891.202	28,50	200
2	14.891.202	38,00	100
3	15.891.202	47,60	100
4	16.891.202	51,10	100
5	17.891.202	66,60	100
6	18.891.202	76,10	100
7	19.891.202	85,70	100
8	20.891.202	95,20	100
9	21.891.202	104,70	100
10	22.891.202	114,30	100
11	23.891.202	123,80	100
12	24.891.202	133,30	100
13	25.891.202	142,80	100
14	26.891.202	152,40	100
15	27.891.202	161,90	100
16	28.891.202	171,40	100
18	30.891.202	190,50	100
20	32.891.202	209,50	100
22	34.891.202	228,60	100
24	36.891.202	247,60	100

further number of poles on request