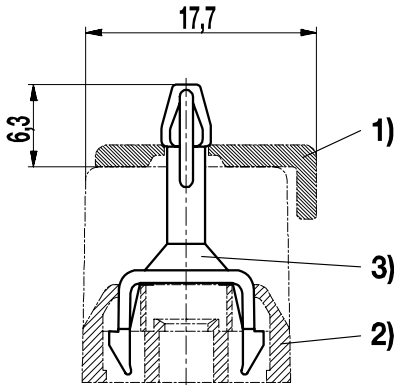
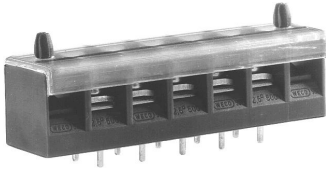


**Cover cap**  
**983-A**  
Accessories



- 1) Cover cap
- 2) PCB connector
- 3) Securing pin

The 983-A cover cap is used as shock protection for series 983 PCB connectors. All cover caps have two  $\varnothing$  3 mm fastening holes. They are fastened after wiring the strips with two securing pins BEF-983, which are pressed into the first and the last empty pole compartment of the PCB connector.

When ordering PCB connectors of series 983, the two empty pole compartments on the far left and the far right must be specified because terminal pole numbers are only allocated to connected pole compartments.

The number of poles and the cover cap sizes stated herein are already configured according to the number of empty pole compartments, i.e. a 3-pole cover cap is suitable for a 3-pole PCB connector equipped with two additional empty pole compartments.

**General Information**

No. of poles	1 - 24
Usable with	PCB connectors series 983

**Material**

Moulding	ABS, transparent
Temperature Range	-30°C up to 80°C

**Options / Accessories**

- Fastening holes in different position
- Securing pins BEF-983

**Part Numbers**

No. of poles	983-A	Length	PU
1	13.891.203	30,00	200
2	14.891.203	40,00	200
3	15.891.203	50,00	200
4	16.891.203	60,00	100
5	17.891.203	70,00	100
6	18.891.203	80,00	100
7	19.891.203	90,00	100
8	20.891.203	100,00	100
9	21.891.203	110,00	100
10	22.891.203	120,00	100
11	23.891.203	130,00	100
12	24.891.203	140,00	100
14	26.891.203	160,00	100
16	28.891.203	180,00	100
18	30.891.203	200,00	100
20	32.891.203	220,00	100
22	34.891.203	240,00	100
24	36.891.203	260,00	100

*further number of poles on request*