

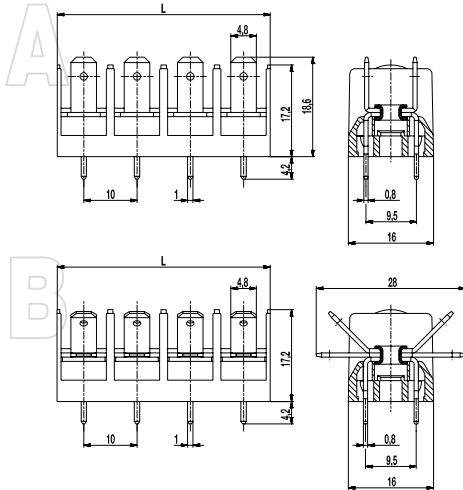
983-FD

Tab connector

Tab/screw connection, 2 solder pins per pole



RoHS
COMPLIANT

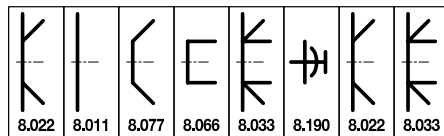
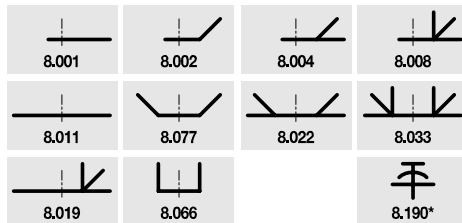


L = Number of poles x pitch

A: Terminal design with tab connector package 8.066

B: Terminal design with tab connector package 8.022

Terminal designs / Example of mixed assembly



* = Screw connection

On the input side, each pole of the tab connector 983-FD in 10 mm pitch can be connected to up to 6 tab connections or one screw connection.

For a uniform assembly, version, assembly type (4-digit number) and number of poles must be specified. Both technical drawings (A and B) show an example for uniform assembly. Mixed assembly requires either specifications of the terminal design for each pole or a drawing.

Due to the multitude of assembly combinations there is no designated order code. For uniform assembly with screw connections (8.190) see tab connector strip 983-D.

General Information

Pitch	10 mm
No. of poles	2 - 26
Usable with	receptacles for tabs acc. to DIN 46247



Technical Data

Clamping Range	<i>solid / flexible / AWG</i> 0,5 - 2,5 mm ² / 0,5 - 2,5 mm ² / 20 - 12 AWG
Rated Cross Section	2,5 mm ²
Wire Stripping Length	8,5 mm
Overvoltage Category	III
Pollution Severity Level	3
Rated Voltage	320 V
Rated Impulse Voltage	4 kV
Rated Insulation Voltage	450 V acc. to EN 60998-1
Rated Current	15 A: with receptacles 4,8; wire 2,5 mm ² (14 AWG)
Hole in PCB	ø 1,6 mm
Torque	1,2 Nm
Other specifications	For screw connections, 2 wires of the same cross-section can be connected per pole. The specified rated voltage applies to applications with insulating receptacles.

Material

Moulding	PA, grey, V-0
Comparative Tracking Index	CTI ≥ 600
Insulating Group	I
Temperature Range	-40°C up to 100°C
Pressure clamp	Tin plated brass
Screw	M4; zinc plated steel, blue passivated
Solder pin	0,8 x 1,0 mm; tin plated brass
Tab	Nickel plated brass
Tubular rivet	Tin plated copper

Approvals

	Current [A]	Voltage [V]	Group	AWG	[Nm]
	15	300	B	20 - 12	
	15	300	B	20 - 12	
	10	300	D, E	20 - 12	

Options / Accessories

- Consecutive numbering
- Special marking according to drawing
- Self-adhesive marking strip BST-10,00
- Crosshead screws
- 10 mm pin length
- Version without solder pin