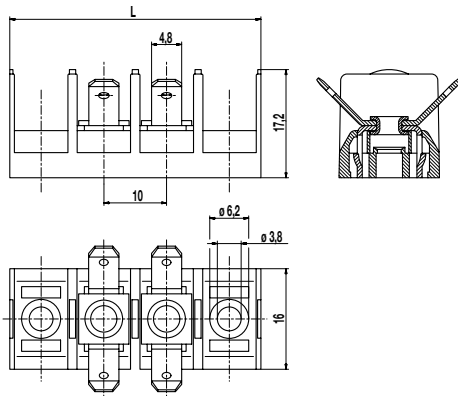
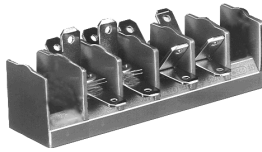


Tab/screw connector blocks 983-F

with tabs 4,8 or screw connection



Tab/screw connector block 983-F in 10 mm pitch is based on our proven 98.. series (see Catalogue 5 "Pitch >10 mm").

It features a 4.8 mm tab connector in star-shaped arrangement and is available in 2- to 24-pole design for a maximum of six tab connectors or alternatively one screw connector per pole.

The compartments on both extremities of the block can serve either for mounting on a substrate or for fastening our 982-A/983-A cover caps. Upon request, other compartments can remain empty for mounting purposes.

Installation note:

Since the bottom is not closed, the connector should be mounted on an isolating substrate/surface. Alternatively, our marking strip BST-983-F can be used for this purpose.

Due to the large variety of different types, listing numbers and prices of the various articles is not possible. When inquiring or ordering products with uniform assembly, stating the number of poles and the assembly number is sufficient. For mixed assemblies, we require an exemplary scheme including the orientation of asymmetrical assemblies, stating the number of desired poles and the assembly of each pole with assembly number.

General Information

Pitch	10 mm
No. of poles	2 - 24

Technical Data

Clamping Range	<i>solid / flexible / AWG</i> 0,5 - 2,5 mm ² / 0,5 - 2,5 mm ² / 20 - 12 AWG
Rated Cross Section	2,5 mm ² [1]
Wire Stripping Length	8,5 mm
Overvoltage Category	III
Pollution Severity Level	3
Rated Voltage	320 V
Rated Impulse Voltage	4 kV
Rated Insulation Voltage	450 V acc. to EN 60998-1
Rated Current	16 A: with receptacle 4,8; wire 2,5 mm ² (14 AWG)
Torque	1,2 Nm
Other specifications	For screw connectors, two leads of identical cross-section can be connected per pole.

Material

Moulding	PA, grey, V-0
Comparative Tracking Index	CTI ≥ 600
Insulating Group	I
Temperature Range	-40°C up to 100°C
Terminal Body	Nickel plated brass
Tab	Nickel plated brass
Screw	M4; zinc plated steel, blue passivated
Tubular rivet	Tin plated brass

Approvals

	Current	Voltage	Group	AWG	Nm
	15 [2]	300	B	20 - 12	1,13
	15 [2] 10	300 300	B D,E	20 - 12 20 - 12	1,13 1,13

Options / Accessories

- Consecutive numbering
- Special marking according to drawing
- Self-adhesive marking strip BST-10,00
- Design for printed circuits (with solder connection), please see 983-FS/-FD
- Cover caps
- Crosshead for screw connection upon request
- Fastening pole position can be freely selected

[1] Screw side

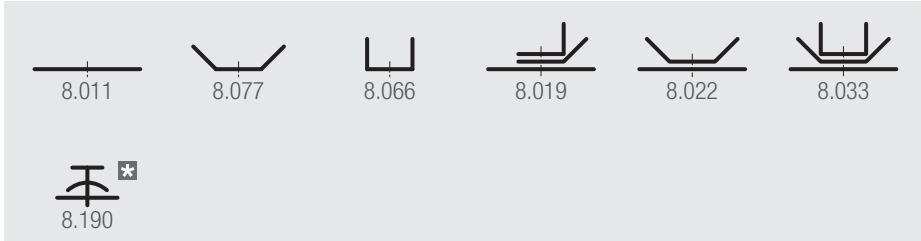
[2] Version with screw connections only: 20 A max.

Tab/screw connector blocks

983-F

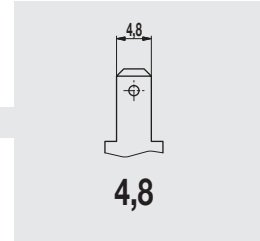
Assembly layout and order information

Assembly layout



* Standard crosshead screw design, crosshead screws upon request

Tab size



Tab size
4,8
(not applicable, if screw connection 8.190 only)

No. of poles
02
to
24

Assembly layout
Please enter here the desired assembly type number.

If you order various sizes, please enclose drawing and enter here: **MIX**

983-F-4,8/ **-**

Example ordering scheme for mixed assembly ("MIX")

	8.019
	8.011
	8.022
	8.033
	8.190
	8.066

When inquiring or ordering products for uniform assembly, stating the above designation is sufficient.

For mixed assembly ("MIX" as part of the type designation), we additionally need a drawing according to the example on the left.

The drawing must state the desired number of poles, the assembly of each pole and the assembly number.