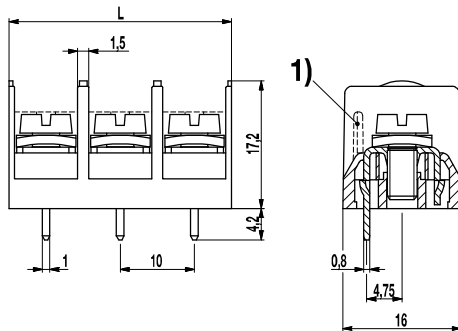


PCB connector

983-S/-ZS

Screw connection, 1 solder pin per pole



1) Backwall (Version -ZS)

The PCB connector 983-S with a pitch of 10 mm features in spite of its small dimensions, large clearance and creepage distances.

This version is equipped with one solder pin per pole and is available in 2- to 26-pole design.

The conductor terminal is of head contact design, whereby the screws and square washers are movably connected.

For easier connection, the non-rotably mounted square washers are automatically lifted when the screw is loosened.

The connector can be mounted side-by-side in the nominal pitch.

Variant "-ZS" features an additional backwall.

Part Numbers

No. of poles	983-S	983-ZS	Length	PU
2	10.873.802	10.873.872	20,00	100
3	10.873.803	10.873.873	30,00	100
4	10.873.804	10.873.874	40,00	100
5	10.873.805	10.873.875	50,00	100
6	10.873.806	10.873.876	60,00	100
7	10.873.807	10.873.877	70,00	50
8	10.873.808	10.873.878	80,00	50
9	10.873.809	10.873.879	90,00	50
10	10.873.810	10.873.880	100,00	50
11	10.873.811	10.873.881	110,00	50
12	10.873.812	10.873.882	120,00	50
13	10.873.813	10.873.883	130,00	20
14	10.873.814	10.873.884	140,00	20
15	10.873.815	10.873.885	150,00	20
16	10.873.816	10.873.886	160,00	20
17	10.873.817	10.873.887	170,00	25
18	10.873.818	10.873.888	180,00	25
19	10.873.819	10.873.889	190,00	25
20	10.873.820	10.873.890	200,00	25
21	10.873.821	10.873.891	210,00	25
22	10.873.822	10.873.892	220,00	25
23	10.873.823	10.873.893	230,00	25
24	10.873.824	10.873.894	240,00	25
25	10.873.825	10.873.895	250,00	10
26	10.873.826	10.873.896	260,00	10

General Information

Pitch	10 mm
No. of poles	2 - 26

Technical Data

Clamping Range	<i>solid / flexible / AWG</i>		
	0,5 - 2,5 mm ² / 0,5 - 2,5 mm ² / 20 - 12 AWG		
Rated Cross Section	2,5 mm ²		
Wire Stripping Length	8,5 mm ± 0,5 mm		
Overvoltage Category	III	III	II
Pollution Severity Level	3	2	2
Rated Voltage	500 V	630 V	1000 V
Rated Impulse Voltage	6 kV	6 kV	6 kV
Rated Insulation Voltage	750 V acc. to EN 60998-1		
Rated Current	24 A		
Hole in PCB	ø 1,6 mm		
Torque	1,2 Nm		
Other specifications	Per pole two wires of identical cross-section can be connected.		

Material

Moulding	PA, grey, V-0
Comparative Tracking Index	CTI ≥ 600
Insulating Group	I
Temperature Range	-40°C up to 100°C
Pressure clamp	Tin plated brass
Screw	M4; zinc plated steel, blue passivated
Solder pin	0,8 x 1,0 mm; tin plated brass

Approvals

	Current	Voltage	Group	AWG	Nm
	20	300	B	20 - 12	1,13
	20	300	B	20 - 12	1,13
	10	300	D, E	20 - 12	1,13

Options / Accessories

- Consecutive numbering
- Special marking according to drawing
- Self-adhesive marking strip BST-10,00
- Cover cap 983-A
- Securing pins BEF-983
- Crosshead screws
- 10 mm pin length