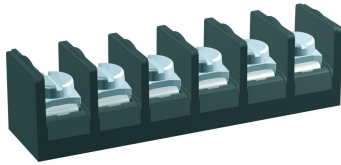


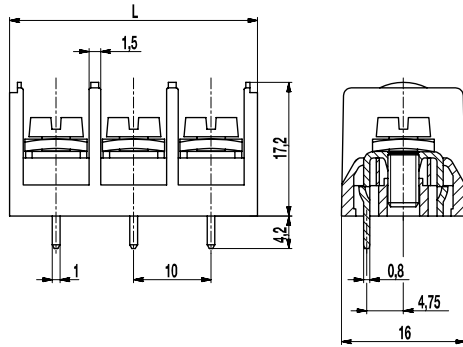
## 983-S/..-DAM

PCB connector

Screw connection, reinforced side walls, 1 solder pin per pole



 **RoHS**  
COMPLIANT



The PCB connector 983-S/..-DAM is based on the well proven terminals of the series 983.

The optimized geometry and slightly modified housing offer some advantages compared to the standard versions:

- The reinforced side walls can equalize the resulting torque to the outside. As a result, the reinforced side avoid the stacking without pole loss as given in the standard version.
- The new housing geometry creates now the possibility to implement central soldering pins.

The connection is designed as head contact, screw and washers forming a combination.

This terminal is available from 2 to 6 poles as well as a version with two soldering pins (see 983-D/..-DAM).

### Part Numbers

No. of poles	983-S/..-DAM	Length	PU
2	10.873.912	22,00	100
3	10.873.913	32,00	100
4	10.873.914	42,00	100
5	10.873.915	52,00	100
6	10.873.916	62,00	100

### General Information

Pitch	10 mm
No. of poles	2 - 6



### Technical Data

Clamping Range	<i>solid / flexible / AWG</i>		
	0,5 - 2,5 mm <sup>2</sup> / 0,5 - 2,5 mm <sup>2</sup> / 20 - 12 AWG		
Rated Cross Section	2,5 mm <sup>2</sup>		
Wire Stripping Length	8,5 mm ± 0,5 mm		
Overvoltage Category	III	III	II
Pollution Severity Level	3	2	2
Rated Voltage	500 V	630 V	1000 V
Rated Impulse Voltage	6 kV	6 kV	6 kV
Rated Insulation Voltage	750 V acc. to EN 60998-1		
Rated Current	24 A		
Hole in PCB	ø 1,6 mm		
Torque	1,2 Nm		
Other specifications	Per pole two wires of identical cross-section can be connected.		

### Material

Moulding	PA, grey, V-0
Comparative Tracking Index	CTI ≥ 600
Insulating Group	I
Temperature Range	-40°C up to 100°C
Pressure clamp	Tin plated brass
Screw	M4; zinc plated steel, blue passivated
Solder pin	0,8 x 1,0 mm; tin plated brass

### Approvals

	Current [A]	Voltage [V]	Group	AWG	[Nm]
	20	300	B	20 - 12	1,13
	pending				

### Options / Accessories

- Consecutive numbering
- Special marking according to drawing
- Self-adhesive marking strip BST-10,00
- Crosshead screws
- 10 mm pin length