

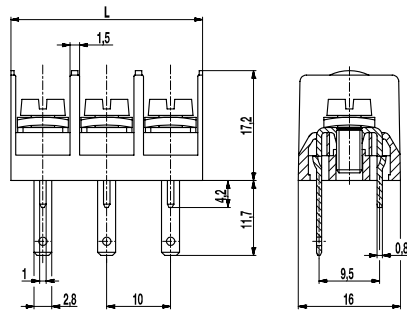
983-SMF-2,8/-4,8

PCB connector

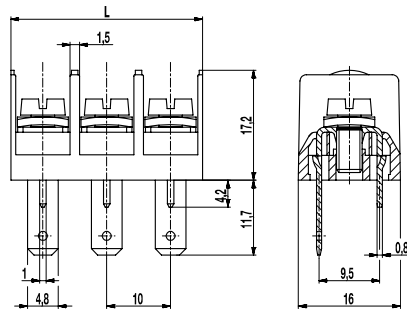
Screw connection, with solder pin and tab



RoHS
COMPLIANT



983-SMF-2,8



983-SMF-4,8

The PCB connectors 983-SMF-2,8 and 983-SMF-4,8 with a pitch of 10 mm are available in 1- to 12-pole design and can be mounted side-by-side in the nominal pitch.

They are based on our series 983 terminal strips.

The conductor terminal is of head contact design with Screws M4, whereby the screws and square washers are movably connected.

For easier connection, the non-rotably mounted square washers are automatically lifted when the screw is loosened.

On the solder side and the plug-in side they feature one solder pin and one tab connection of 2.8 mm or 4.8 mm width per pole.

This allows current to flow to other components without having to use additional conductor paths.

Part Numbers

No. of poles	983-SMF-2,8	983-SMF-4,8	Length	PU
1	91.873.803	92.873.803	30,00	100
2	91.873.804	92.873.804	40,00	100
3	91.873.805	92.873.805	50,00	100
4	91.873.806	92.873.806	60,00	100
5	91.873.807	92.873.807	70,00	100
6	91.873.808	92.873.808	80,00	100
7	91.873.809	92.873.809	90,00	50
8	91.873.810	92.873.810	100,00	50
9	91.873.811	92.873.811	110,00	50
10	91.873.812	92.873.812	120,00	50
11	91.873.813	92.873.813	130,00	50
12	91.873.814	92.873.814	140,00	50

General Information

Pitch	10 mm
No. of poles	1 - 12



Technical Data

Clamping Range	<i>solid / flexible / AWG</i> 0,5 - 2,5 mm ² / 0,5 - 2,5 mm ² / 20 - 12 AWG
Rated Cross Section	2,5 mm ²
Wire Stripping Length	8,5 mm
Overvoltage Category	III
Pollution Severity Level	3
Rated Voltage	320 V
Rated Impulse Voltage	4 kV
Rated Insulation Voltage	450 V acc. to EN 60998-1
Rated Current	7,5 A: with receptacles 2,8; wire 1 mm ² (16 AWG) 15 A: with receptacles 4,8; wire 2,5 mm ² (14 AWG)
Hole in PCB	ø 1,6 mm
Torque	1,2 Nm
Other specifications	Screw-fixing holes ø 3,2 mm. Per pole two wires of identical cross-section can be connected. Indicated rated voltage applies to applications with insulation receptacles.

Material

Moulding	PA, grey, V-0
Comparative Tracking Index	CTI ≥ 600
Insulating Group	I
Temperature Range	-40°C up to 100°C
Pressure clamp	Tin plated brass
Screw	M4; zinc plated steel, blue passivated
Solder pin	0,8 x 1,0 mm; tin plated brass

Approvals

	Current [A]	Voltage [V]	Group	AWG	[Nm]
	20	300	B	20 - 12	1,13
	6	300	B, D, E	20 - 12	1,13 [1]
	15	300	B	20 - 12	1,33 [2]
	10	300	D, E	20 - 12	1,33 [2]

[1] for 982-SMF-2,8

[2] for 982-SMF-4,8

Options / Accessories

- Consecutive numbering
- Special marking according to drawing
- Self-adhesive marking strip BST-10,00
- Crosshead screws
- Various versions of tabs instead of screw connections