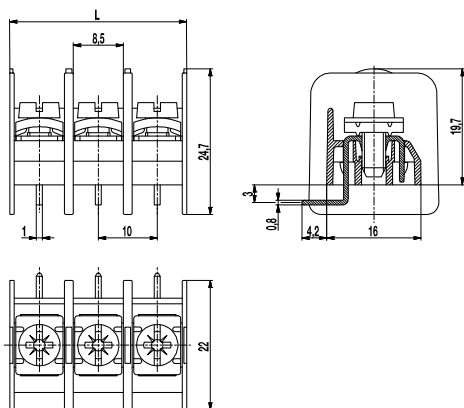


PCB connector 983-UW

Screw connection, wire entrance vertical to PCB, with surrounding rib



The PCB connector 983-UW with a pitch of 10 mm is a version with framed ribs to realize larger clearance and creepage distances.
For wave soldering corresponding slots are necessary in the printed circuit board.

Part Numbers

No. of poles	983-UW	Length	PU
2	30.873.862	20,00	100
3	30.873.863	30,00	100
4	30.873.864	40,00	100
5	30.873.865	50,00	100
6	30.873.866	60,00	100
7	30.873.867	70,00	50

General Information

Pitch	10 mm
No. of poles	2 - 7
Additional Information	with plus/minus screw, cross recess: Pozidriv

Technical Data

Clamping Range	<i>solid / flexible / AWG</i> 0,75 - 2,5 mm ² / 0,75 - 2,5 mm ² / 18 - 12 AWG		
Rated Cross Section	2,5 mm ²		
Wire Stripping Length	8,5 mm ± 0,5 mm		
Overvoltage Category	III	III	II
Pollution Severity Level	3	2	2
Rated Voltage	800 V	1000 V	1000 V
Rated Impulse Voltage	8 kV	8 kV	6 kV
Rated Insulation Voltage	750 V acc. to EN 60998-1		
Rated Current	15 A		
Hole in PCB	ø 1,6 mm		
Torque	1,2 Nm		
Other specifications	Per pole two wires of identical cross-section can be connected.		

Material

Moulding	PA HT, black, V-0
Comparative Tracking Index	CTI ≥ 600
Insulating Group	I
Temperature Range	-40°C up to 120°C; temporary max. 260°C (15-30 sec)
Pressure clamp	Tin plated brass
Screw	M4; zinc plated steel, blue passivated
Solder pin	0,8 x 1,0 mm; tin plated brass

Approvals

	Current	Voltage	Group	AWG	Nm
	20	600	B, C	20 - 12	1,13
	20	600	B, C	20 - 12	1,13