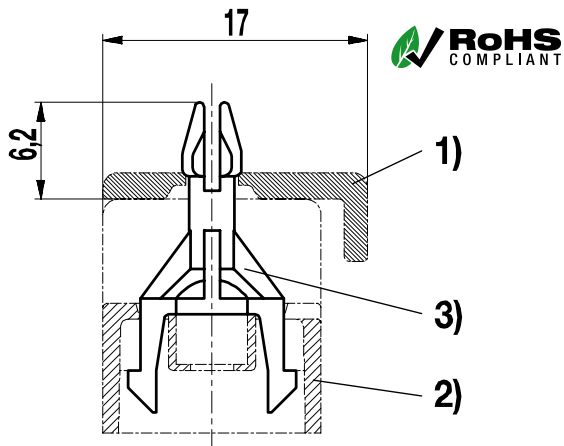


## Securing pin BEF-980



- 1) Cover cap
- 2) PCB connector
- 3) Securing pin

The securing pins BEF-980 are used to attach the cover caps onto series 980 PCB connectors.  
Both pins are pressed into the far end empty pole compartments of the series 980 PCB connectors.

### Part Numbers

No. of poles	BEF-980	Length	PU
1	10.476.007		1000

### General Information

Usable with PCB connectors series 980, cover cap 980-A

### Material

Moulding PA, grey  
Temperature Range -40°C up to 80°C