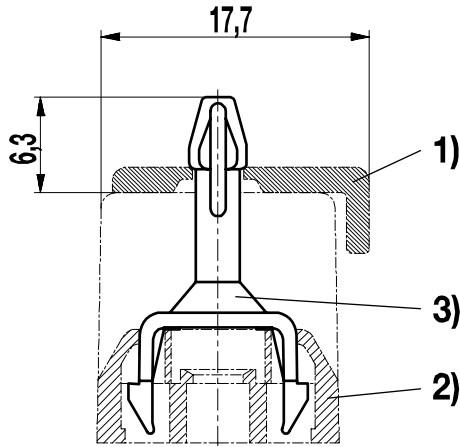


BEF-983

Securing pin
Accessories



- 1) Cover cap
- 2) PCB connector
- 3) Securing pin

The securing pins BEF-983 are used to attach the cover caps onto series 982 and 983 PCB connectors. Both pins are pressed into the far end empty pole compartments of the series 982 and 983 PCB connectors.

General Information

Usable with PCB connectors series 982 and 983, cover caps 982-A and 983-A

Material

Moulding PA, grey, V-0

Temperature Range -40°C up to 100°C

Part Numbers

No. of poles	BEF-983	Length	PU
1	10.476.008		1000