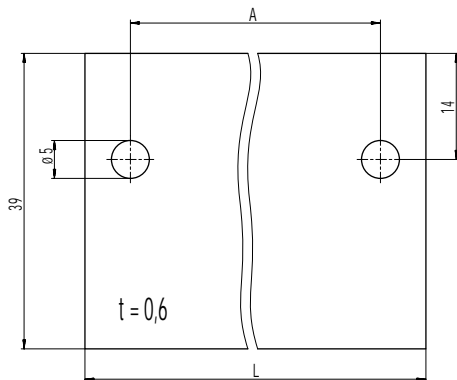
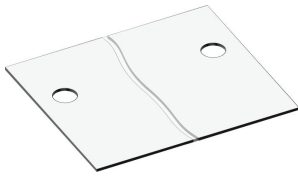


BST-307

Marking strip
Accessories



Marking strip BST-307 is available for our tab/screw connector blocks 307 and 3070 in 2- to 12-pole design.

They are made of matt white, hard PVC with a thickness of 0,6 mm.

Marking strips are attached on the housing bottom of the connector, where holes are provided in the respective locations.

The marking strip protrudes the connector by approx. 7 mm and therefore offers large marking space.

As standard, the marking strip is delivered without markings. Prior to or after the assembly of the connector, the strips can be marked with e.g. felt markers, ink pens or stamps. Special marking strips with customer-specific marking (letter size approx. 4 mm) are available upon request.

Part Numbers

No. of poles	BST-307	Length	A *	PU
2	10.495.032	42,00	33,00	500
3	10.495.033	53,00	44,00	500
4	10.495.034	64,00	55,00	500
5	10.495.035	75,00	66,00	500
6	10.495.036	86,00	77,00	500
7	10.495.037	97,00	88,00	250
8	10.495.038	108,00	99,00	250
9	10.495.039	119,00	110,00	250
10	10.495.040	130,00	121,00	250
11	10.495.041	141,00	132,00	250
12	10.495.042	152,00	143,00	200

* = Distance of the two outermost mounting holes

General Information

No. of poles	2 - 12
Usable with	Tab/screw connector blocks 307, 3070

Material

Moulding	Hard PVC, white, mat
Temperature Range	up to 80°C

Options / Accessories

- Consecutive numbering
- Special marking according to drawing