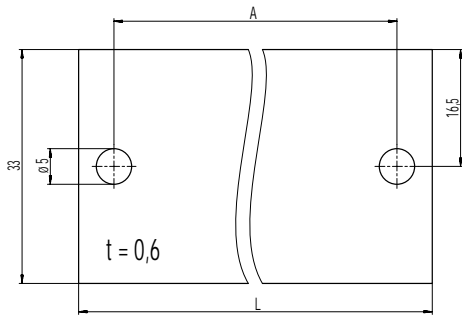
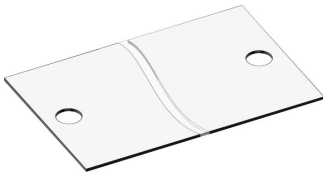


BST-983-F

Marking strip
Accessories



Marking strip BST-983-F is available for our tab/screw connector blocks 982-F and 983-F in 2- to 24-pole design.

They are made of matt white, hard PVC with a thickness of 0,6 mm.

Marking strips are attached on the housing bottom of the connector, where holes are provided in the respective locations.

The marking strip protrudes the connector by approx. 11 mm and therefore offers large marking space.

As standard, the marking strip is delivered without markings. Prior to or after the assembly of the connector, the strips can be marked with e.g. felt markers, ink pens or stamps. Special marking strips with customer-specific marking (letter size approx. 4 mm) are available upon request.

General Information

No. of poles	2 - 24
Usable with	Tab/screw connector blocks 982-F, 983-F

Material

Moulding	Hard PVC, white, mat
Temperature Range	up to 80°C

Options / Accessories

- Consecutive numbering
- Special marking according to drawing

Part Numbers

No. of poles	BST-983-F	Length	A *	PU
2	12.495.111	40,00	30,00	1000
3	13.495.111	50,00	40,00	1000
4	14.495.111	60,00	50,00	1000
5	15.495.111	70,00	60,00	1000
6	16.495.111	80,00	70,00	1000
7	17.495.111	90,00	80,00	500
8	18.495.111	100,00	90,00	500
9	19.495.111	110,00	100,00	500
10	20.495.111	120,00	110,00	500
11	21.495.111	130,00	120,00	500
12	22.495.111	140,00	130,00	500
13	23.495.111	150,00	140,00	250
14	24.495.111	160,00	150,00	250
15	25.495.111	170,00	160,00	250
16	26.495.111	180,00	170,00	250
17	27.495.111	190,00	180,00	250
18	28.495.111	200,00	190,00	250
19	29.495.111	210,00	200,00	250
20	30.495.111	220,00	210,00	250
21	31.495.111	230,00	220,00	250
22	32.495.111	240,00	230,00	250
23	33.495.111	250,00	240,00	250
24	34.495.111	260,00	250,00	250

* = Distance of the two outermost mounting holes