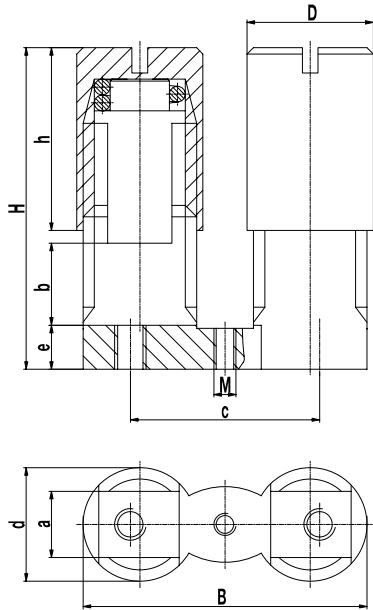


Ex-protected double-mantle terminals DFD-AX

DFD-1-AX / DFD-3-AX / DFD-5-AX

Ex e II, explosion proof



Dimensions (mm)

Type	mm ² (AWG)	a x b	D	d	H/h	c	e	M	B
DFD-1-AX	1x2,5 (1x14)	3,1x1,9	8	M7x0,75	18,2/11	11	3,5	M3	18
DFD-3-AX	1x4 (1x12)	5,1x2,5	11,5	M10x1	26,5/17	17	4	M3,5	27
DFD-5-AX	1x35 (1x2)	10,5x8	20	M18x1,5	48,5/29	30	7	M5	45

These EX-types correspond to the mantle terminals DFB and DFG in respect of design and mode of operation. In addition, they also afford the possibility of connecting incoming and outgoing lines separately. The terminal base sections of the DFD-1-AX /-3-AX have one screw hole for mounting at the center, whilst the DFD-5-AX has two screw holes (see dimension c).

Part Numbers

Type	Part Numbers	PU
DFD-1-AX	82.221.301	200
DFD-3-AX	82.221.408	100
DFD-5-AX	82.221.605	25

General Information

Additional Information

Notes on Installation:

The terminals can be used at ambient temperatures up to 40°C at the place of installation due to self-heating in apparatus under service conditions - primarily as earth terminals and for equipotential bonding - for the temperature classes T1 to T6. For use as live terminals in conjunction with insulating parts, a partial certificate for the entire electrical apparatus is necessary. For installation in a terminal housing - minimum degree of protection IP 54 - the requirements of EN 60079, must additionally be complied with. In addition, the terminals must be locked against rotation. This is easily possible using the square or hexagon foot.

Technical Data

Rated Current	max. load at 40°C/ 104°F ambient temperature	DFD-1: 30A DFD-3: 39A DFD-5: 150A
---------------	--	---

Material

Pressure bolt	Nickel plated brass
Spring washer	(DFD-3-AX): zinc plated steel
Nut	Nickel plated brass
Slotted Bolt	Nickel plated brass
Spiral spring	(DFD-1-AX, DFD-5-AX): spring steel, blue annealed

Approvals

PTB 03 ATEX 1118 U

Approved according to European Standard DIN EN 60079