

# GST-900

Tabs  
Accessories



This tabs for printed circuits with a thickness of 0,8 mm are used to connect receptacles for tabs, size 2,8, 4,8 and 6,3 according to DIN 46 247. Depending on their scope of application they are available with vertical and/or parallel outgoing wires. Insulation of the receptacles for taps can be achieved with our ISO insulating sleeves.

## Technical Data

Rated Current	Tab 2,8: 6 A
	Tab 4,8: 16 A
	Tab 6,3: 25 A
	please see DIN 46 249

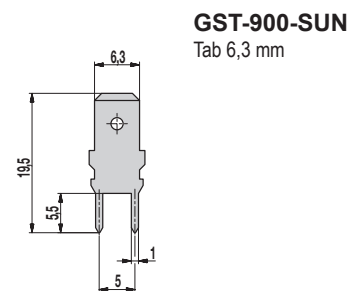
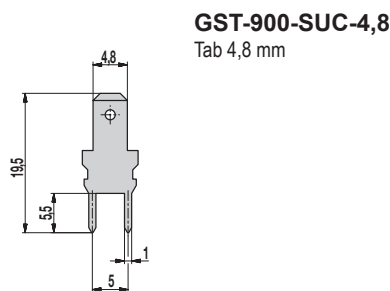
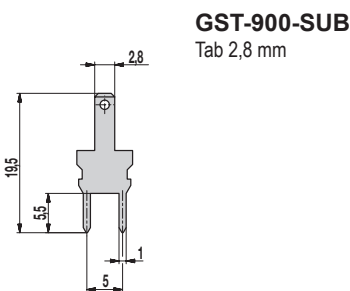
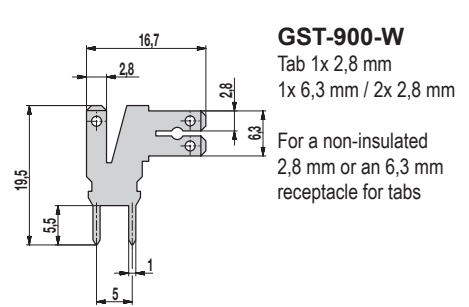
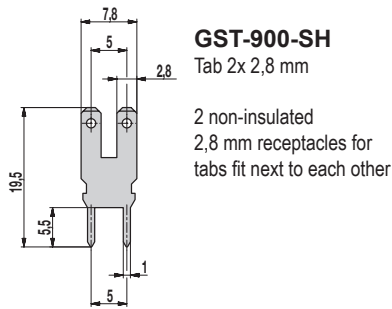
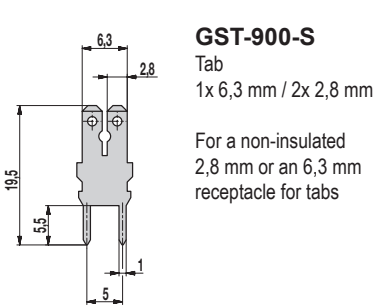
## Material

Tab	Tin plated brass, thickness 0,8 mm
-----	------------------------------------

## Options / Accessories

- Insulation receptacles
- GST-900-S tab with press-in pins

## Versions



## Part Numbers

Type	Part Numbers	PU
GST-900-S	10.351.107	on request
GST-900-SH	10.351.111	on request
GST-900-SUB	10.371.106	on request
GST-900-SUC-4,8	10.361.108	on request
GST-900-SUN	10.351.113	on request
GST-900-W	10.351.109	on request