

GST-S

Tabs for equipment

for plugged-in receptacles 2x 2,8/6,3; 4,8 and 6,3 DIN 46247, with screw connection



Technical Data

Rated Cross Section	4 mm ² (1,5 mm ² SAK-Version)
Rated Current	6 A: with receptacle 2,8; wire 1,0 mm ² (16 AWG) 16 A: with receptacle 4,8; wire 2,5 mm ² (14 AWG) 25 A: with receptacle 6,3; wire 6,0 mm ² (10 AWG)
Torque	1,2 Nm

Material

Tab	Nickel plated brass
Screw	M4x6; Zinc plated steel, blue passivated

Options / Accessories

- Tab connectors also available with spring lock washer, washer and M4x8 screw
- Also available as tab connector mounted on series 307/3070 (including type 983-F)

These tab connectors are directly mounted onto the equipment, e.g. as ground connection.

They are suitable for tab receptacles according to DIN 46247, with nominal widths 2,8; 4,8; 6,3 x 0,8.

Contrary to standard tab connectors, this equipment tab connector have an additional screw connection with one M4x6 screw according to EN ISO 1580. "SAK" types feature a laterally raised edge preventing incorrect wire insertion. For screw connections without SAK, the wires must be protected from wire offset when fastening the screw.

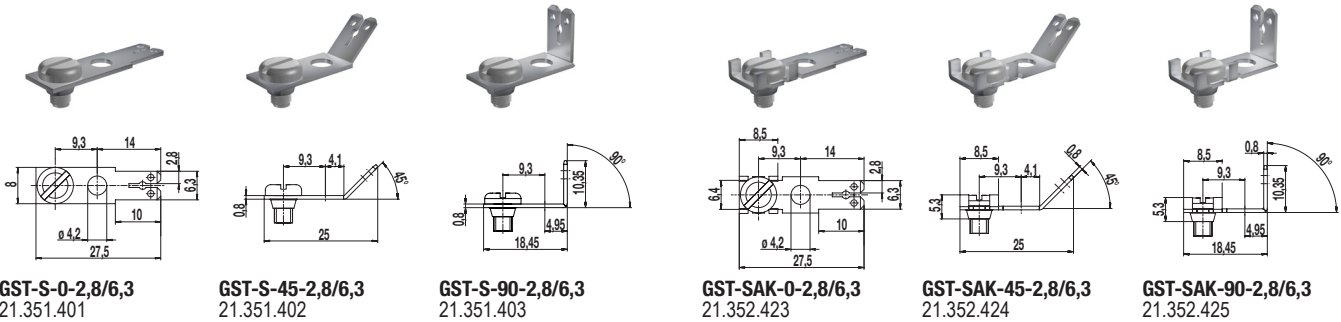
The packaging unit for all tab connectors is 1.000 pieces.

ADDITIONAL INFORMATION:

Flexible and stranded wires require the use of ferrules and/or cable lugs.

Versions

for plugged-in receptacles 2,8/6,3



GST-S-0-2,8/6,3
21.351.401

GST-S-45-2,8/6,3
21.351.402

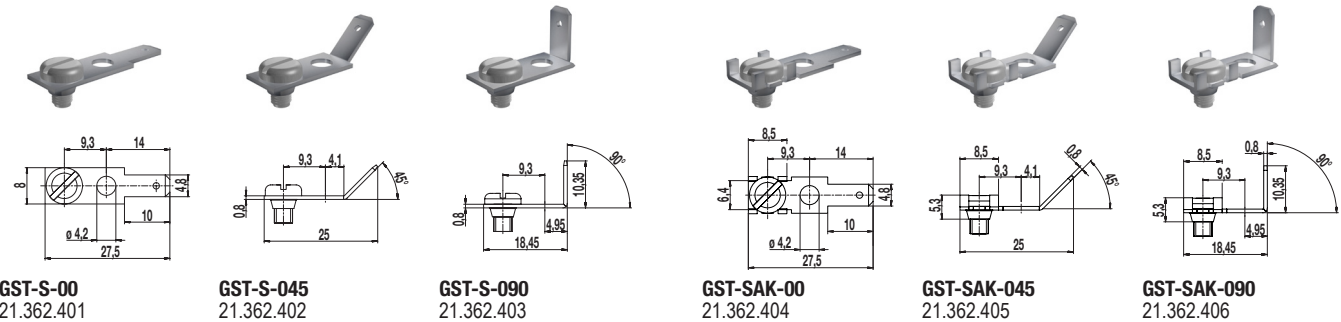
GST-S-90-2,8/6,3
21.351.403

GST-SAK-0-2,8/6,3
21.352.423

GST-SAK-45-2,8/6,3
21.352.424

GST-SAK-90-2,8/6,3
21.352.425

for plugged-in receptacles 4,8



GST-S-00
21.362.401

GST-S-045
21.362.402

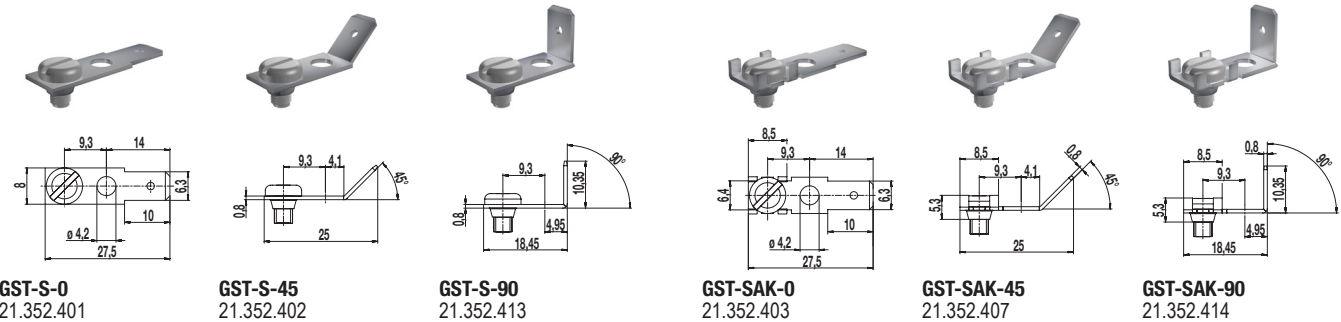
GST-S-090
21.362.403

GST-SAK-00
21.362.404

GST-SAK-045
21.362.405

GST-SAK-090
21.362.406

for plugged-in receptacles 6,3



GST-S-0
21.352.401

GST-S-45
21.352.402

GST-S-90
21.352.413

GST-SAK-0
21.352.403

GST-SAK-45
21.352.407

GST-SAK-90
21.352.414