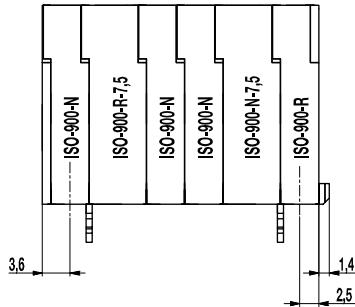
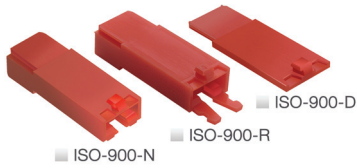


## Insulation sockets

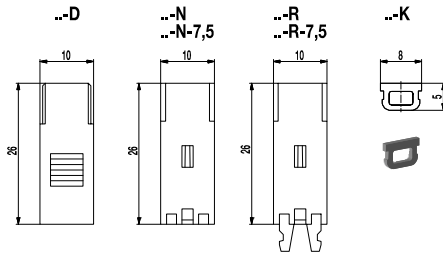
### ISO-900

#### Accessories



Mounting example

#### Versions



Version D: Cover

Version N: Standard insulation socket

Version R: Insulation socket with snap-fits

Version K: Coding keys to block empty chambers

ISO-900 insulation sockets are used to insulate double spring contacts. They are single pole and can be mounted side-by-side in 5 mm and 7,5 mm pitch. Apart from the standard insulation sockets ISO-900-N and ISO-900-N-7,5, type ISO-900-R and ISO-900-R-7,5 with a latching hook are available to provide additional locking strength against accidental withdrawal. These latching hooks snap in the empty receptacles of tab connectors 900-S and 900-SUN. The cover ISO-900-D is used as contact protection for the last pole. Insulation sockets with latching hooks and ISO-900-K coding keys allow contacting the sockets. They are inserted into the empty slots of the tab connector, in which no insulation socket with latching hook is allocated, thus preventing incorrect connections.

#### General Information

Pitch	5 mm / 7,5 mm
Usable with	Tab connectors 900-S, 900-SUN and 900-SUC
Additional Information	When accurately positioned in the socket, the double-spring contacts audibly snap into place. These metal parts are not part of our product range. They can be used e.g. for TYCO timer contacts (no. 925598-1).

#### Material

Moulding	PA, red, V-0
Comparative Tracking Index	CTI $\geq$ 600
Insulating Group	I
Temperature Range	-40°C up to 100°C

#### Options / Accessories

- Special marking according to drawing
- ISO-900 insulation sockets can be provided as multipole combinations. Please enclose a drawing.
- Spacer 2,5 mm (ISO-900-Z)

#### Part Numbers

Type	Part Numbers	Length	Pcs
ISO-900-D	25.838.106		1000
ISO-900-N	10.838.104		1000
ISO-900-N-7,5	10.838.105		1000
ISO-900-R	20.838.107		1000
ISO-900-R-7,5	10.838.108		1000
ISO-900-K	10.496.021		1000