

Product Obsolescence Notification

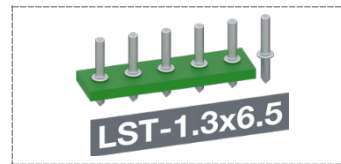
PON-G2020-02

July 9, 2020

1 Types affected



Single solder pins
LST-1.3x6.5



2 Planned implementation date

Immediately

3 Reason

After a review in the course of our product rationalisation, it was decided to discontinue the following products.
Procurement of the product is no longer possible.
The complete list of all affected products can be found under point 4.

4 Products affected

ART.-NO.	PRODUCT
12477513A00	LST-1,3*6,5-VPE 1000
12477513	LST-1,3X6,5
50477513	LST-1,3X6,5-BK
17477513	LST-1,3X6,5-GAL-AU-1,3
10477513	LST-1,3X6,5-GAL-SN

5 Last Time Buy

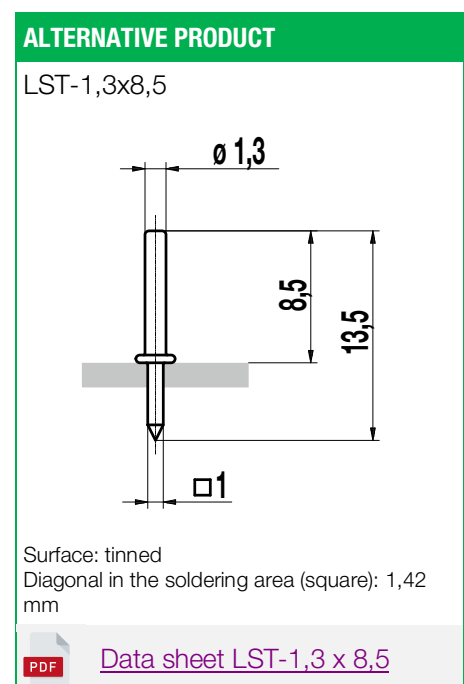
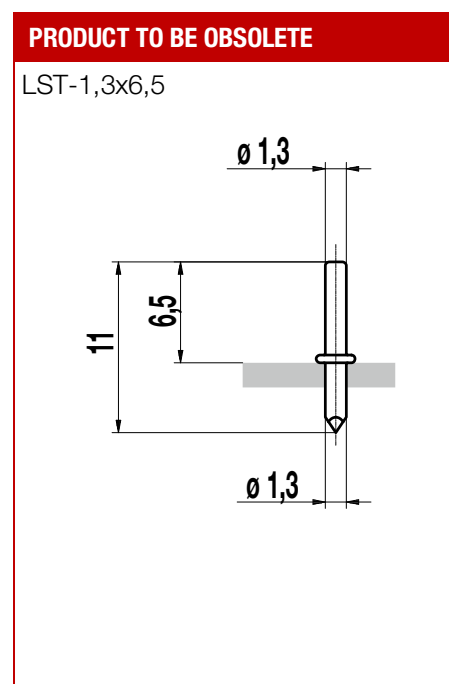
No. Stock is already used up.

6 End of Product life cycle

July 10, 2020

7 Suggested replacement

ART.-NO.	PRODUCT
10477514	LST-1,3X8,5



8 **Additional notes** ---

9 **Contacts at WECO**

Detlef Fritsch General Manager WECO Germany, Primary contact for EMEA	+49 (0) 6181-105 -129 detlef.fritsch@wecogroup.de
Amelie Pan General Manager WECO Asia Primary contact for Asia	+852 2636 6252 apan@wecoconnectors.com
Ana Flávia Rodrigues Director of Finance and Operations Primary contact for Brasil	+55 41 3278 9720 afrodrigues@wecoconnectors.com
Yuritzi Cisneros Peguero Controller & Administrative Manager Primary contact for México	+52 33 3684 9066 ycisneros@wecoconnectors.com
Paul Potter General Manager - North America Primary contact for North America	+1 972 672 1249 paulpotter@wecoconnectors.com
Noel Jesuratnam Global Quality Assurance Director	+1 514.694.9136 x237 njesuratnam@wecoconnectors.com